

## Single Wall Ovens

FFEW2725P S/W/B

27" Electric



### Product Dimensions

Height	29"
Width	27"
Depth	24-3/4"

### More Easy-To-Use Features

#### Delay Clean Option

Set the oven to begin cleaning on your schedule.

#### Bright Lighting

Our bright lighting makes it easy to see what's inside.

#### Timed Cook Option

Lets you set the oven to begin cooking at a predetermined time.

#### Auto Shut-Off

As an extra safety measure, the oven will automatically shut off after 12 hours.

#### Attractive Stainless Steel Exterior<sup>1</sup>

#### Built with American Pride

Appliances that are high-performing, more accessible, and more innovative than ever—designed, built, and engineered in the U.S.A.

#### A.D.A. Compliant

When properly installed, this model is A.D.A.-qualified based on the United States Access Board's A.D.A./A.B.A. Accessibility Guidelines and the Department of Justice's 2010 A.D.A. Standards for Accessible Design.



Sabbath Mode (Star-K® Certified)

#### Available in:



Stainless (S)

White (W)

Black (B)

<sup>1</sup>Select model only.

## Signature Features

### Even Baking Technology

Our Even Baking Technology ensures even baking every time.

### Self-Cleaning

Your oven cleans itself - so you don't have to. Self clean options available in 2, 3, and 4-hour cycles.

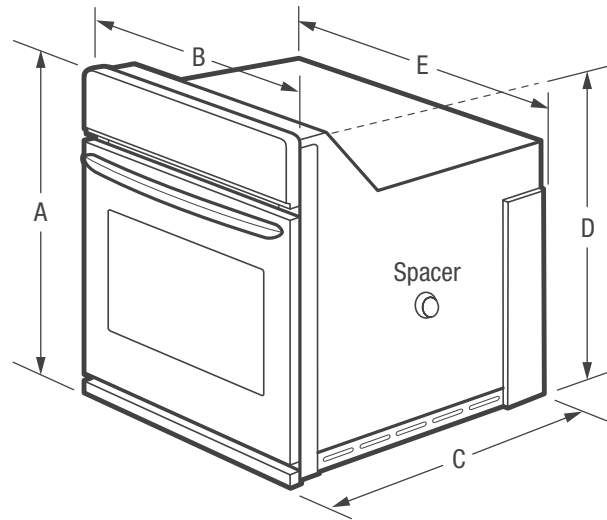
### Vari-Broil™ Temperature Control

Allows you to choose between two heat levels.

### Ready-Select® Controls

Easily select options or control cooking temperature with our easy-to-use controls.

<b>Features</b>	
Oven Control/Timing System	Ready-Select*
Window	Extra-Large
Exterior Door Finish	Stainless Steel (S), Color-Coordinated (W/B)
Handle Design	Stainless Steel (S), Color-Coordinated (W/B)
Oven Cleaning System	Self-Clean
<b>Oven Controls</b>	
Bake/Broil	Yes/Variable (400-550°F)
Convection Conversion	
Convection Bake/Broil/Roast	
Quick Bake Convection	
PowerPlus®/Quick Preheat	
My Favorite	
Slow Cook	
Effortless™ Temperature Probe	
Chicken Nugget Button	
Pizza Button	
Keep Warm	Yes
Add-a-Minute	
Delay Start	Yes
Self-Clean/Clean Options	Yes/2, 3, 4 Hours
Steam Clean	
Delay Clean	Yes
Kitchen Timer	Yes
Timed Cook Option	Yes
Control Lock	12 Hours
Auto Oven Shut-Off	Yes
Oven Lock-Out	
<b>Oven Features</b>	
Capacity (Cu.Ft.)	3.8
Convection System	
Oven Light	1 Halogen
Hidden Bake Element	Yes
Rack Configuration	2 Handle Racks
Baking System	Even Baking Technology
Broiling System	Vari-Broil™
Bake/Broil Element (Watts)	1,450/3,400
<b>Optional Accessories</b>	
3"-High Bottom Trim - Stainless Steel (S)/White (W)/Black (B)	(S) PN# 318903509 (W) PN# 318903506 (B) PN# 318903507
10'-Long Armored Power Cable	PN# 903056-9010
<b>Certifications</b>	
A.D.A. Compliant <sup>1</sup>	Yes
Sabbath Mode (Star-K® Certified)	Yes
<b>Specifications</b>	
Oven Interior (H x W x D)	17" x 20-1/2" x 18-3/4"
Power Supply Connection Location	Left Bottom Rear
Voltage Rating	240V/208V/60Hz
Connected Load (kW Rating) @ 240/208 Volts <sup>2</sup>	3.7/2.8
Amps @ 240/208 Volts	15.4/13.5
Minimum Circuit Required (Amps)	20
Approved for Under-Counter Installation	Yes
Shipping Weight (Approx.)	140 Lbs.



NOTE: For planning purposes only. Always consult local and national electric codes. Refer to Product Installation Guide for detailed installation instructions on the web at [frigidaire.com](http://frigidaire.com).

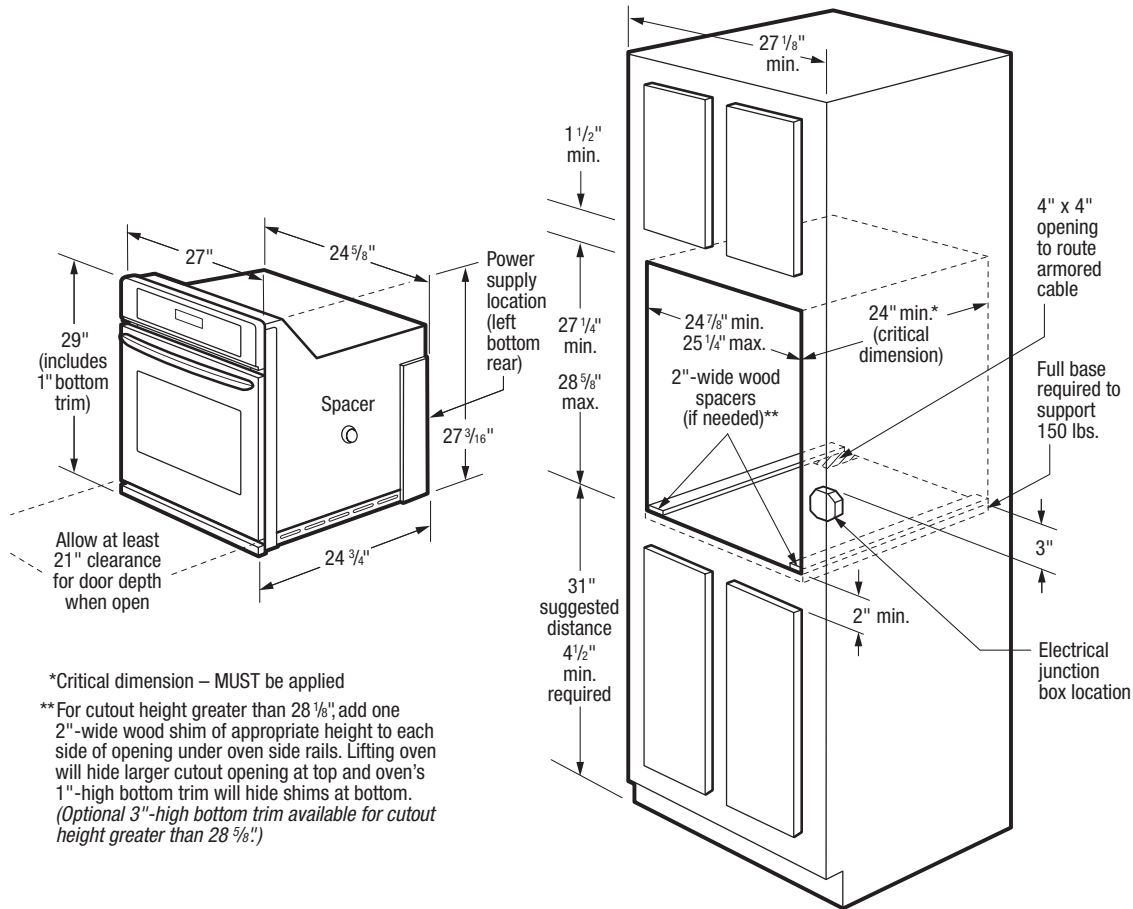


Product Dimensions		Cutout Dimensions	
A - Height	29"	Height (Min.)	27-1/4"
B - Width	27"	Height (Max.)	28-5/8"
C - Depth	24-3/4"	Width (Min.)	24-7/8"
D - Height (Wrapper)	27-3/16"	Width (Max.)	25-1/4"
E - Width (Wrapper)	24-5/8"	Depth (Min.)	24"
Depth with Door Open 90°	45-3/4"		

<sup>1</sup>When properly installed, this model is A.D.A.-qualified based on the United States Access Board's A.D.A./A.B.A. Accessibility Guidelines and the Department of Justice's 2010 A.D.A. Standards for Accessible Design.

<sup>2</sup>Single phase 3- or 4-wire cable, 120/240 or 120/208 Volt, 60 Hertz AC only electrical supply with ground required on separate circuit fused on both sides of line.

Accessories information available on the web at [frigidaire.com](http://frigidaire.com)



Single Wall Oven Specifications

- Product Shipping Weight (approx.) - 140 Lbs.
- Single phase 3- or 4-wire cable, 120/240 or 120/208 Volt, 60 Hertz AC only electrical supply with ground required on separate circuit fused on both sides of line.
- Connected Load (kW Rating) @ 240/208 Volts =3.7/2.8 kW
- Amps @ 240/208 Volts = 15.4/13.5 Amps
- Recommended Circuit Breaker - 20 Amps
- Always consult local and national electric codes.
- Minimum 21" clearance for oven door depth when open.
- Suggested distance from floor is 31". Minimum required distance is 4-1/2".
- Minimum 24" deep cutout dimension is critical for proper installation, to ensure that oven's faceplate will fit flush against cabinet front.
- To adapt oven to fit cutout height greater than 28-1/8", add one 2"-wide wood shim of appropriate height to each side of opening under oven side rails. Lifting oven will hide larger cutout opening at top and oven's 1"-high bottom trim will hide shims at bottom. (Standard 1"-High Bottom Trim included.)
- To adapt oven to fit cutout height greater than 28-5/8", optional 3"-High Bottom Trim available.

- Full oven base of solid plywood or similar material required, capable of supporting 150 Lbs.
- Base must be level and cabinet front must be square.
- Single Wall Oven is NOT approved to be used in stackable or side-by-side installation.
- Single Wall Oven is approved to be used alone in under-counter installation or beneath any approved Frigidaire® gas or electric cooktop. (Refer to Gas or Electric Cooktop Installation Over 30"/27" Electric Single Wall Oven Specifications pages on web.)
- Single Wall Oven is approved to be used in combination with any Frigidaire® Warmer Drawer. (Refer to model-specific Warmer Drawer product page for Combination Installation Specifications.)
- Single Wall Oven is approved to be used in combination with any Frigidaire® Built-In Microwave Oven.

Note: For planning purposes only. Refer to Product Installation Guide on the web at [frigidaire.com](http://frigidaire.com) for detailed instructions.

Optional Accessories

- 3"-High Stainless Steel Bottom Trim - (PN# 318903509).
- 3"-High White Bottom Trim - (PN# 318903506).
- 3"-High Black Bottom Trim - (PN# 318903507).
- 10'-Long Armored Power Cable - (PN# 903056-9010).