

Freestanding Range

FFGF3049LS

30" Gas



Product Dimensions

| | |
|--------------------------|---------|
| Height (Max.) | 47-3/4" |
| Width | 29-7/8" |
| Depth (Including Handle) | 29-1/4" |

More Easy-To-Use Features

Black Matte Finish with Cast Iron Grates

A premium finish to complement the durable burner grates.

Quick Boil

Boil water faster with our 14,000 BTU burner.

Low Simmer Burner

Perfect for delicate foods and sauces.

Even Baking Technology

Our latest technology ensures even baking every time.

Extra-Large Window

Our extra-large oven window lets you easily see what's inside.

Hi/Lo Broil Option

Offers two-position broiling and variable temperature control for more control.

Timed Cook Option

Electronic Kitchen Timer

Bright Lighting

Our bright lighting makes it easy to see what's inside.

Manual Clean Oven

Broil and Serve™ Drawer

Attractive Stainless Steel Exterior

LP Gas Conversion Option

Available in:



Stainless
(S)

Signature Features

Ready-Select® Controls

Select options or control cooking temperature with our easy-to-use controls.

Continuous Cast Iron Grates

Continuous Grates make it easy to move heavy pots and pans between burners without lifting.

Fits-More™ Cooktop

The Fits-More™ cooktop features five burners so you can cook more at once.

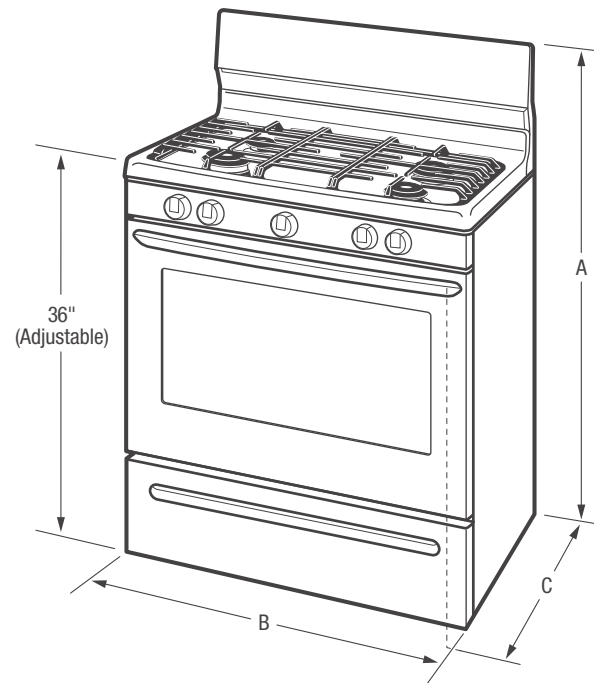
Sealed Gas Burners

Enjoy easier cleanup and a burner that stays looking great.

| Burners | BTU |
|-------------------|--------|
| Right Front | 14,000 |
| Right Rear | 5,000 |
| Left Front | 9,500 |
| Left Rear | 9,500 |
| Center Extra Zone | 10,000 |

| Features | |
|---|--|
| Oven Control/Timing System | Ready-Select® Controls |
| Surface Type | Deep-Well Black Porcelain |
| Sealed Gas Burners | Yes |
| Grates | Continuous Cast Iron with Black Matte Finish |
| Window | Extra-Large |
| Exterior Door Finish | Stainless Steel |
| Handle Design | Stainless Steel |
| Exterior Finish (Side Panels) | Black |
| Convection System | |
| Oven Cleaning System | Manual Clean |
| Drawer Functionality | Broil |
| Oven Controls | |
| Bake | Yes |
| Broil | Low and High |
| Add-a-Minute | |
| Delay Start | |
| Self-Clean | |
| Quick Clean Option | |
| Delay Clean | |
| Kitchen Timer | Yes |
| Timed Cook Option | Yes |
| Auto Oven Shut-Off | |
| Oven Lock-Out | |
| Cooktop Features | |
| Right Front Burner (BTU) | 14,000 |
| Right Rear Burner (BTU) | 5,000 |
| Left Front Burner (BTU) | 9,500 |
| Left Rear Burner (BTU) | 9,500 |
| Center Extra Zone Burner (BTU) | 10,000 |
| Oven Features | |
| Capacity (Cu.Ft.) | 4.2 |
| Oven Light | 1 |
| Rack Configuration | 2 Standard |
| Baking System | Even Baking Technology |
| Broiling System | Vari-Broil™ Hi/Lo |
| Bake Burner/Broil Burner (BTU) | 18,000/18,000 |
| Optional Accessories | |
| LP Gas Conversion Kit | PN# GRLP3 |
| Specifications | |
| Oven Interior (H x W x D) | 17-5/8" x 24-3/8" x 19-3/4" |
| Power Supply Connection Location | Left Bottom Rear |
| Gas Supply Connection Location | Right Bottom Rear |
| Voltage Rating | 120V/60Hz/15A |
| Connected Load (kW Rating) @ 120 Volts ¹ | 1.8 |
| Amps @ 120 Volts | 15 |
| Shipping Weight (Approx.) | 150 Lbs. |

¹For use on adequately wired 120V, dedicated circuit having 2-wire service with a separate ground wire. Appliance must be grounded for safe operation.

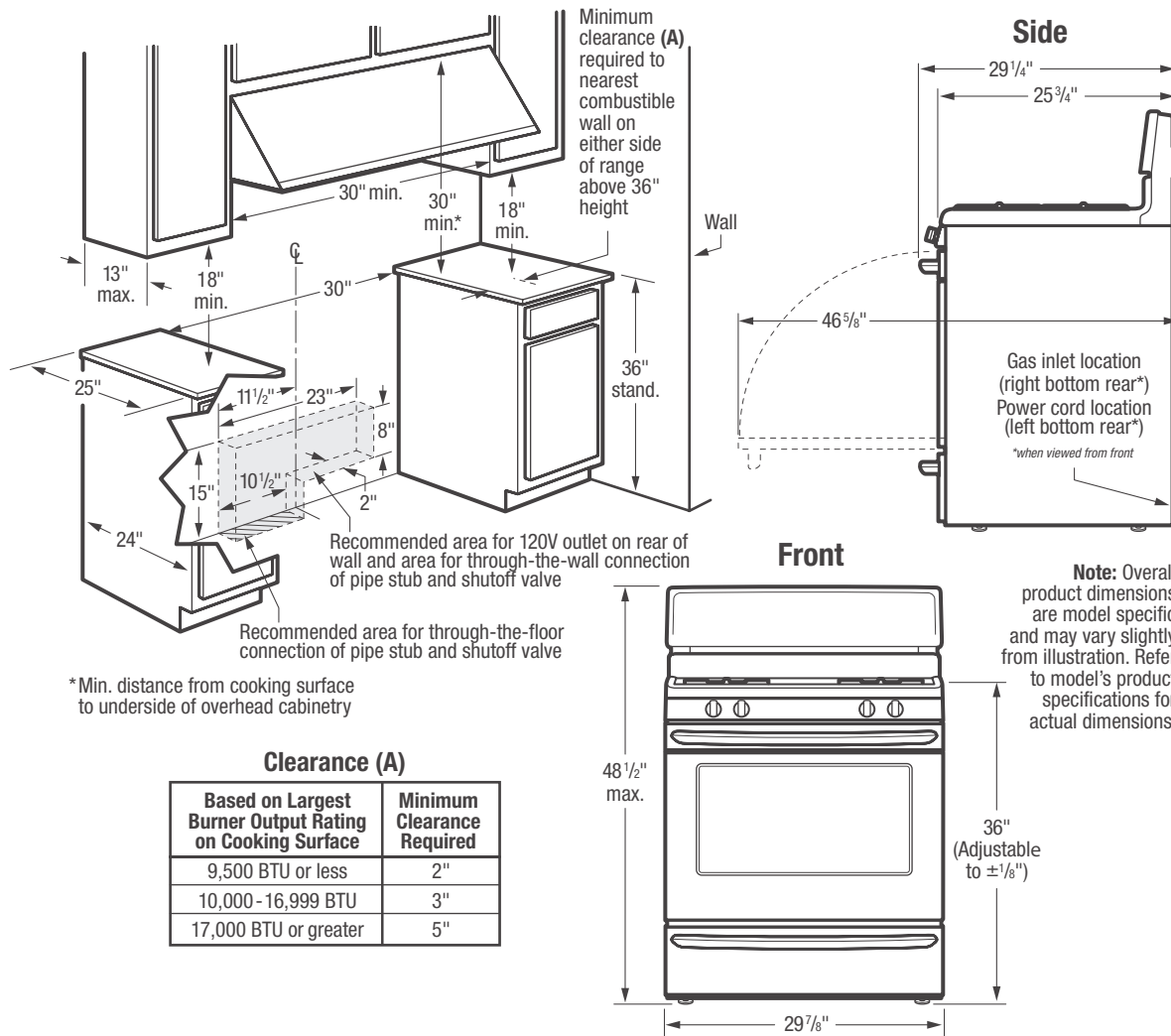


NOTE: For planning purposes only. Always consult local and national electric and gas codes. Refer to Product Installation Guide for detailed installation instructions on the web at frigidaire.com.



| Product Dimensions | | Cabinet Cutout Dimensions | |
|------------------------------|---------|---------------------------|-----|
| A - Height (Max.) | 47-3/4" | Height (Standard) | 36" |
| B - Width | 29-7/8" | Width (Min.) | 30" |
| C - Depth (Including Handle) | 29-1/4" | Depth (Min.) | 24" |
| Depth with Door Open 90° | 46-5/8" | | |

Accessories information available on the web at frigidaire.com



Clearance (A)

| Based on Largest Burner Output Rating on Cooking Surface | Minimum Clearance Required |
|--|----------------------------|
| 9,500 BTU or less | 2" |
| 10,000 - 16,999 BTU | 3" |
| 17,000 BTU or greater | 5" |

Freestanding Range Specifications

- Product Shipping Weight (approx.) - 150 Lbs.
- Voltage Rating - 120V / 60 Hz / 15 Amps
- Connected Load (kW Rating) @ 120 Volts = 1.8kW (For use on adequately wired 120V, dedicated circuit having 2-wire service with a separate ground wire. Appliance must be grounded for safe operation.)
- Amps @ 120 Volts = 15 Amps
- Always consult local and national electric and gas codes.
- Make sure wall coverings around range can withstand heat generated by range.
- Linoleum or any other synthetic floor covering located beneath range, must be capable of withstanding minimum heat of 90° F above room temperature without shrinking, warping or discoloring. Insulating pad or 1/4"-thick plywood required between range and a carpeted floor.
- Do not obstruct flow of combustion air at oven vent nor around base or beneath lower front panel of range. Range requires fresh air for proper burner combustion.
- Do not install range beneath any downward-blowing, overhead vent hood or air curtain.
- Range ships with 3/4" factory regulator.
- Range is LP Gas convertible. (Optional LP Gas Conversion Kit available.)

- Floor beneath range MUST be solid and level.
- Overhead cabinetry should not exceed a 13" maximum depth.
- Absolute minimum horizontal distance between overhead cabinets installed to either side of appliance must be no less than maximum width of appliance.
- Range can be installed flush to wall with 0" minimum rear clearance.
- Minimum clearance required (from edge of rangetop to nearest combustible wall on either side of range above 36" height) is based on largest burner output rating on cooking surface.
- To reduce risk of fire when using overhead cabinetry, install range hood that projects horizontally a recommended minimum of 5" beyond bottom of cabinets.
- Follow all dimension requirements provided to prevent property damage, potential fire hazard, and incorrect countertop and cabinet cuts.

Note: For planning purposes only. Refer to Product Installation Guide on the web at frigidaire.com for detailed instructions.

Optional Accessories

- LP Gas Conversion Kit - (PN# GRLP3)

