

Top Mount Refrigerators

FFHT2131Q S/M/P/E

21 Cu. Ft. Top Mount



Product Dimensions

| | |
|-------------------------------------|---------|
| Height (Including Hinges & Rollers) | 69" |
| Width | 30" |
| Depth (Including Door) | 31-3/4" |

More Easy-To-Use Features

Independent Temperature Controls

Color-Coordinated Door Handle¹

Color-Coordinated Door Hinge Covers¹

Half-Width Drawer

Offers you another storage option that is conveniently located so you have easy access to foods such as deli meat and cheeses.

Clear Dairy Door

Reversible Door

Door can be installed to open left or right based on your needs.



ENERGY STAR®

Available in:



¹Select models only.

Signature Features

Store-More™ Capacity

Our large capacity refrigerator gives you room to store more.

Store-More™ Humidity-Controlled Crisper Drawers

Our humidity-controlled crisper drawers are designed to keep your fruits and vegetables fresh so you don't have to worry about stocking up.

SpillSafe® Shelves

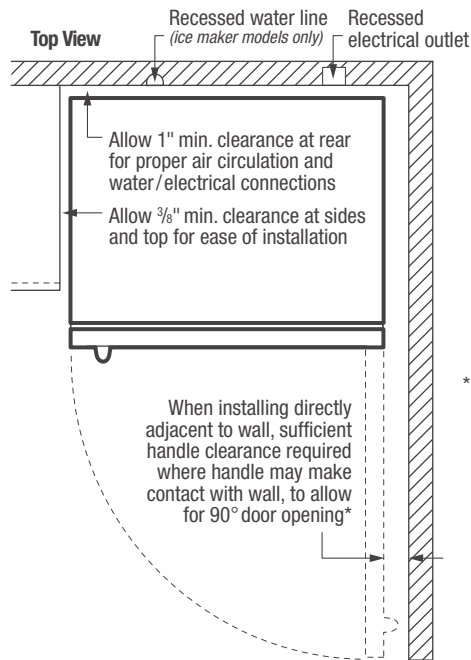
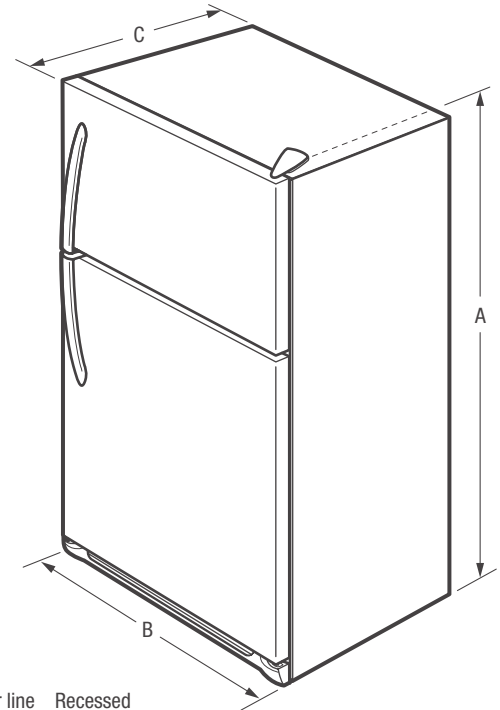
Designed to keep spills contained, making cleanup a breeze.

Full-Width Wire Freezer Shelf

Gives you a way to organize items in your freezer better so you can find food quickly.

| Features | |
|---|--|
| Door Design | UltraSoft™ |
| Door Handle Design | Stainless Steel (S), Color-Coordinated (M/P/E) |
| Cabinet Finish (Textured) | Black (S), Color-Coordinated (M/P/E) |
| Door Stops | Yes |
| Door Hinge Covers | Black (S), Color-Coordinated (M/P/E) |
| Door Reverse Option | Yes |
| Rollers - Front/Rear | Adjustable / Yes |
| Sound Package | |
| Toe Grille | Black (S), Color-Coordinated (M/P/E) |
| Refrigerator Features | |
| Interior Lighting | Bright |
| Refrigerator Shelves | 2 Full-Width SpillSafe® Glass |
| Deli Drawer | 1 Half-Width |
| Wine/Can Rack | |
| Store-More™ Crisper Drawers | 2 Clear |
| Humidity Controls | 2 |
| Dairy Compartment | Clear Dairy Door |
| Door Bins | 3 Full-Width White |
| Door Racks | |
| Non-Slip Bin Liner | |
| Tall Bottle Retainers | |
| Gallon Door Storage | 1 |
| Freezer Features | |
| Door Bins | 2 Full-Width Clear |
| Door Racks | |
| Freezer Shelves | 1 Full-Width Wire |
| Factory Ice Maker w/ Large Ice Bin | Optional (PN# IM116) |
| Lighting | |
| Certifications | |
| ENERGY STAR® | Yes |
| Specifications | |
| Total Capacity (Cu. Ft.) | 20.5 |
| Refrigerator Capacity (Cu. Ft.) | 15.4 |
| Freezer Capacity (Cu. Ft.) | 5.1 |
| Power Supply Connection Location | Right Bottom Rear |
| Water Inlet Connection Location | Bottom Right |
| Voltage Rating | 120V / 60Hz / 15A |
| Connected Load (kW Rating) @ 120 Volts¹ | 0.72 |
| Amps @ 120 Volts | 6.0 |
| Minimum Circuit Required (Amps) | 15 |
| Shipping Weight (Approx.) | 220 Lbs. |

¹For use on adequately wired 120V, dedicated circuit having 2-wire service with a separate ground wire. Appliance must be grounded for safe operation.



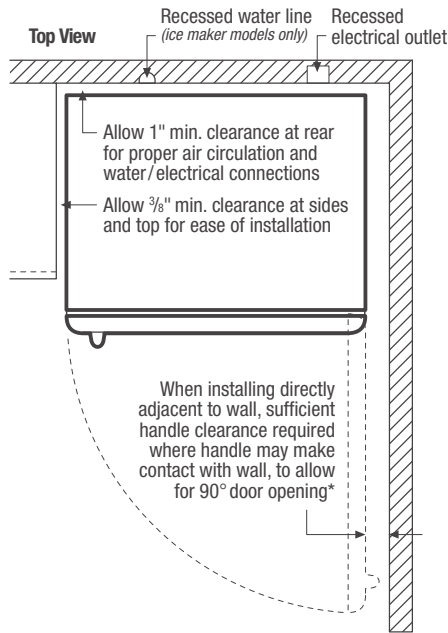
*When installing refrigerator adjacent to wall, cabinet or other appliance that extends beyond front edge of unit, 20" minimum clearance recommended to allow for optimum 140° door swing, providing complete crisper access and removal. (Absolute 3" minimum clearance will ONLY allow for 90° door swing which will provide limited crisper access with restricted removal.)

NOTE: For planning purposes only. Always consult local and national electric and plumbing codes. Refer to Product Installation Guide for detailed installation instructions on the web at frigidaire.com.

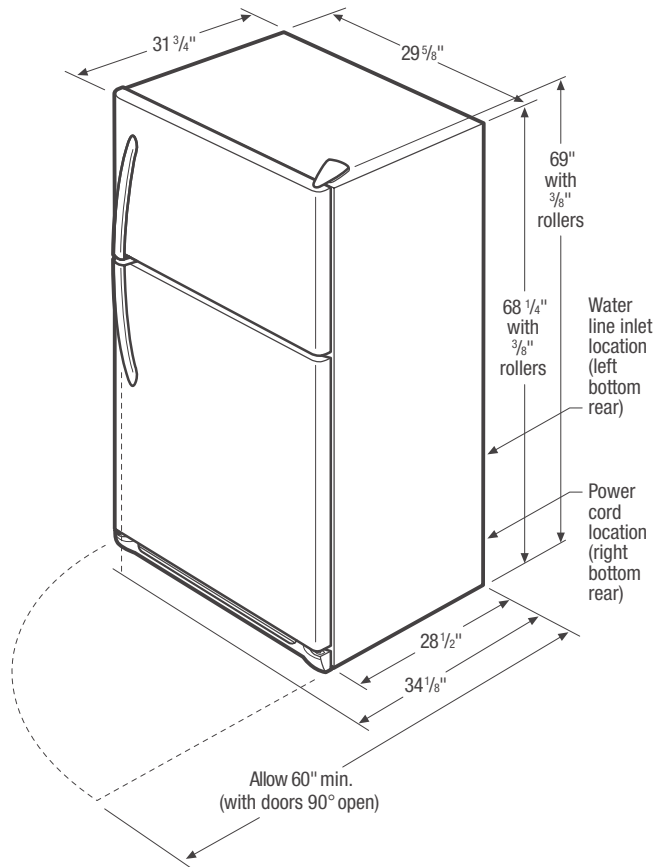


| Product Dimensions | |
|-------------------------------------|---------|
| A - Height (Incl. Hinges & Rollers) | 69" |
| B - Width | 30" |
| C - Depth (Incl. Door) | 31-3/4" |
| Depth with Door Open 90° | 60" |

Accessories information available on the web at frigidaire.com



*When installing refrigerator adjacent to wall, cabinet or other appliance that extends beyond front edge of unit, 20" minimum clearance recommended to allow for optimum 140° door swing, providing complete crisper access and removal. (Absolute 3" minimum clearance will ONLY allow for 90° door swing which will provide limited crisper access with restricted removal.)



Top Mount Refrigerator Specifications

- Product Shipping Weight (approx.) - 220 Lbs.
- An electrical supply with grounded three-prong receptacle is required. The power supply circuit must be installed in accordance with current edition of National Electrical Code (NFPA 70) and local codes & ordinances.
- Voltage Rating - 120V/60 Hz/15 Amps
- Connected Load (kW Rating) @ 120 Volts = 0.72 kW
- Amps @ 120 Volts = 6.0 Amps
- Always consult local and national electric & plumbing codes.
- Floor should be level surface of hard material, capable of supporting fully loaded refrigerator.
- Minimum 3/8" clearance required for sides and top of refrigerator with 1" clearance at rear to allow for ease of installation, proper air circulation, and plumbing/electrical connections.
- When installing refrigerator adjacent to wall, cabinet or other appliance that extends beyond front edge of unit, 20" minimum clearance recommended to allow for optimum 140° door swing, providing complete crisper access and removal. (Absolute 3" minimum clearance will ONLY allow for 90° door swing which will provide limited crisper access with restricted removal.)

- To ensure optimum performance, do not install in areas where temperature drops below 55° F or rises above 110° F and avoid installing in direct sunlight or close proximity to range, dishwasher or other heat source.
- For proper ventilation, front grille MUST remain unobstructed.
- Recess electrical outlet when possible.
- Optional Ice Maker Kit (PN# IM116) available for installation in ice maker-ready models only.
- Water recess on rear wall recommended to prevent water line damage.
- Water Pressure - Cold water line must provide between 30 and 100 pounds per square inch (psi).
- Copper tubing with 1/4" O.D. recommended for water supply line with length equal to distance from rear of unit to household water supply line plus 7 additional feet. Optional Water Supply Installation Kits available.
- Adjustable front rollers to assist with door alignment.

Note: For planning purposes only. Refer to Product Installation Guide on the web at frigidaire.com for detailed instructions.

Optional Accessories

- Ice Maker Kit - (PN# IM116).