



All Refrigerator

FFRU17G8QW

Frost Free
16.6 Cu. Ft.



Product Dimensions

Height (Including Hinges)	67-11/16"
Width	34"
Depth (Including Door)	28-1/2"

More Easy-To-Use Features

Adjustable Temperature Control
Select the correct temperature for your needs.

Garage-Ready
Our all refrigerator offers the flexibility to work in your home or in your garage. It's built to handle extreme temperature conditions.

Frost-Free Operation
Never defrost your refrigerator again so you can spend time on more important things.

Color-Coordinated Handle

5 Fixed Door Racks

Available in:



White
(W)

Signature Features

Built with American Pride

Appliances that are high-performing, more accessible, and more innovative than ever — designed, built, and engineered in the U.S.A.

SpaceWise® Adjustable Baskets with Color-Coordinated Clips

Take organization to the next level with our heavy-duty adjustable plastic baskets with color-coordinated clips that snap on, and can be used to organize items by categories or purchase date so items are much easier to find.

Bright LED Lighting

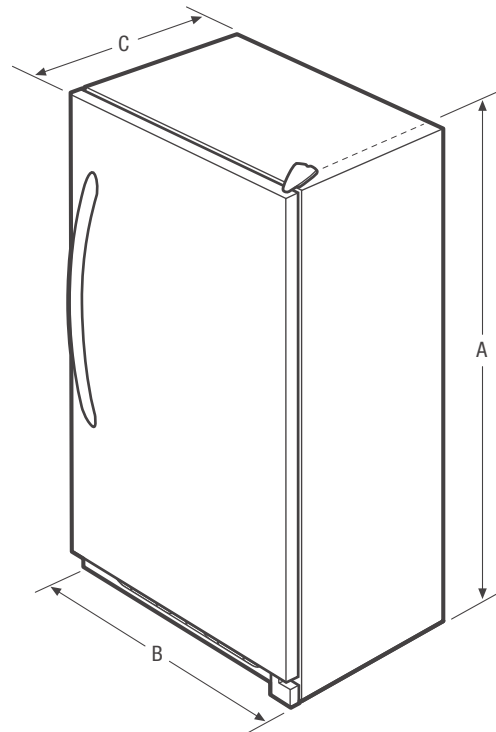
Our bright lighting makes it easy to see what's inside.

SpaceWise® Adjustable Shelving

Adjustable shelves allow you to customize your refrigerator so you can fit different size items as your needs change.

Features	
Door Handle Design	UltraSoft™
Reversible Door	
Automatic Door Closer	Yes
Leveling Legs	Yes
Adjustable Temperature Control	Mechanical Dial
Defrost	Frost Free
Temp Display Mode	1-7
Airflow Ports	Yes
Full-Width Shelves	3 Adjustable Glass
Mid-Level Basket	1
Lower Level Basket	1
Interior Lighting	LED Plug-In
Door Bins	
Door Racks	5 Full-Width
Fixed Door Shelf Retainers	
Certifications	
CSA Rating	Household
Specifications	
Total Capacity (Cu. Ft.)	16.6
Shelf Area (Sq. Ft.)	11.6
Annual Energy (kWH)	479
Annual Energy Cost (.12/kWH)	\$57
Power Supply Connection Location	Right Bottom Rear
Voltage Rating	115V, 60Hz, 15A
Connected Load (kW rating) @ 115 Volts ¹	0.6
Amps @ 115 Volts	5
Minimum Circuit Required (Amps)	15
Shipping Weight (Approx.)	201 Lbs.

¹An electrical supply with grounded three-prong receptacle is required. The power supply circuit must be installed in accordance with current edition of National Electrical Code (NFPA 70) and local codes & ordinances.

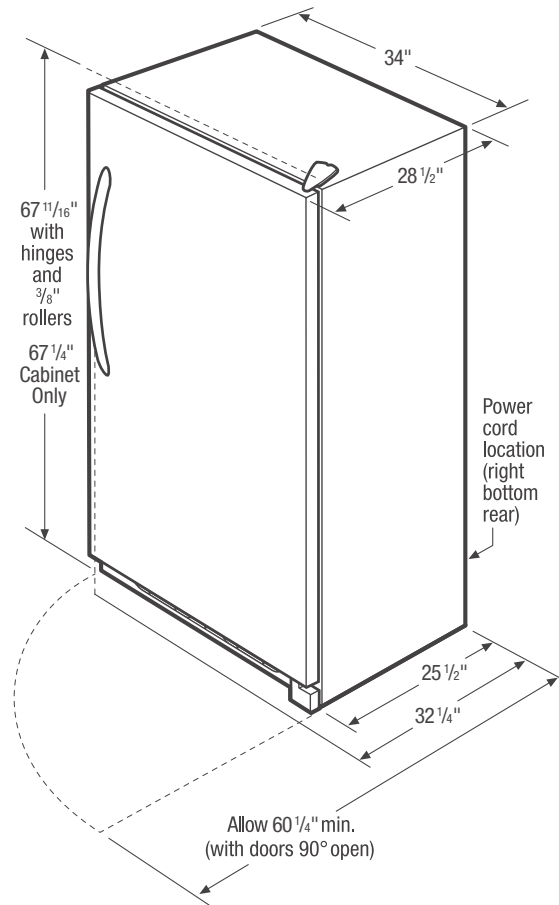
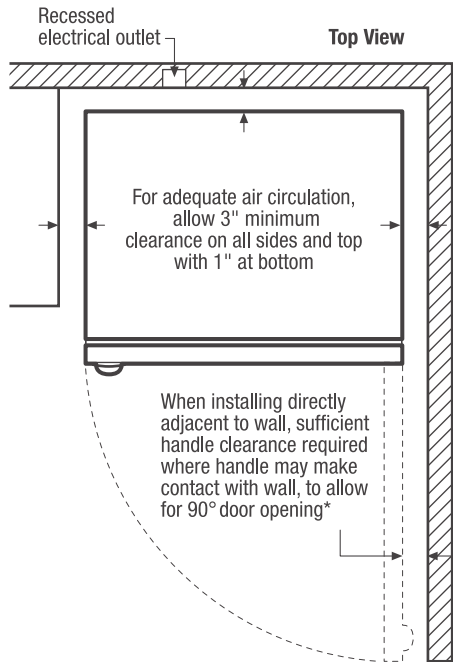


NOTE: For planning purposes only. Always consult local and national electric and plumbing codes. Refer to Product Installation Guide for detailed installation instructions on the web at frigidaire.com.



Product Dimensions	
A - Height (Including Hinges)	67-11/16"
B - Width	34"
C - Depth (Including Door)	28-1/2"
D - Depth with Door Open 90°	60-1/4"

Accessories information available on the web at frigidaire.com



* When installing refrigerator adjacent to wall, cabinet or other appliance that extends beyond front edge of unit, 20" minimum clearance recommended to allow for optimum 140° door swing, providing complete basket access and removal. (Absolute 3" minimum clearance will ONLY allow for 90° door swing which will provide limited basket access with restricted removal.)

All Refrigerator Specifications

- Product Shipping Weight (approx.) - 201 Lbs.
- An electrical supply with grounded three-prong receptacle is required. The power supply circuit must be installed in accordance with current edition of *National Electrical Code (NFPA 70)* and local codes & ordinances.
- Voltage Rating - 115V
- Connected Load (kW Rating) @115 Volts = 0.6 kW
- Amps @115 Volts = 5 Amps
- Always consult local and national electric codes.
- For adequate air circulation, allow 3" minimum clearance on all sides and top with 1" at bottom.

- When installing refrigerator adjacent to wall, cabinet or other appliance that extends beyond front edge of unit, 20" minimum clearance recommended to allow for optimum 140° door swing, providing complete basket access and removal. (Absolute 3" minimum clearance will ONLY allow for 90° door swing which will provide limited basket access with restricted removal.)
- Locate where surrounding air temperature will not exceed 110° F, to ensure optimum performance. (Temperatures 32° F and below will NOT affect operation.)
- All bottom corners of unit MUST rest firmly on solid level surface of hard material, same height as flooring. Surface must be strong and stable enough to support unit when fully loaded.
- Equipped with adjustable leveling legs to ensure unit is level, which is required in order to function properly.

Note: For planning purposes only. Refer to Product Installation Guide on the web at frigidaire.com for detailed instructions.

Use these dimensions and clearance instructions for planning purposes only. For detailed installation instructions, refer to installation guide, packed with product, or on the web at frigidaire.com.

