



# Freestanding Range

FGEF308TNF

30" Electric



## Product Dimensions

Height (Max.)	49"
Width	30"
Depth (Including Handle)	28-7/8"

## More Easy-To-Use Features

### One-Touch Options

Our ovens feature easy-to-use one touch buttons so you can cook pizza or chicken nuggets, add a minute to the timer, or keep foods warm — with the touch of a button.

### Smudge-Proof™ Stainless Steel

Resists fingerprints and smudges so it's easy to clean.

### Pizza Button

Easily bake perfect pizza with the touch of a button.

### Keep Warm Zone

Keep food warm until everything — and everyone — is ready.

Sabbath Mode (Star-K® Certified)

## Available in:



Stainless  
(F)

## Signature Features



### Symmetry™ Double Ovens

Two large equally-sized ovens provide the ultimate flexibility — you can cook two different dishes at different temperatures at the same time. Each oven is big enough to cook a 28-lb turkey.



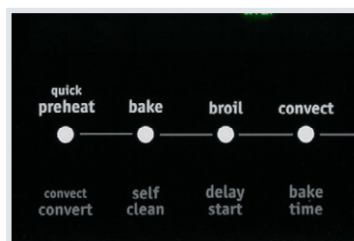
### 4-Minute Quick Preheat

Preheat in just four minutes!



### True Convection

Single convection fan circulates hot air throughout the oven for faster and more even multi-rack baking.



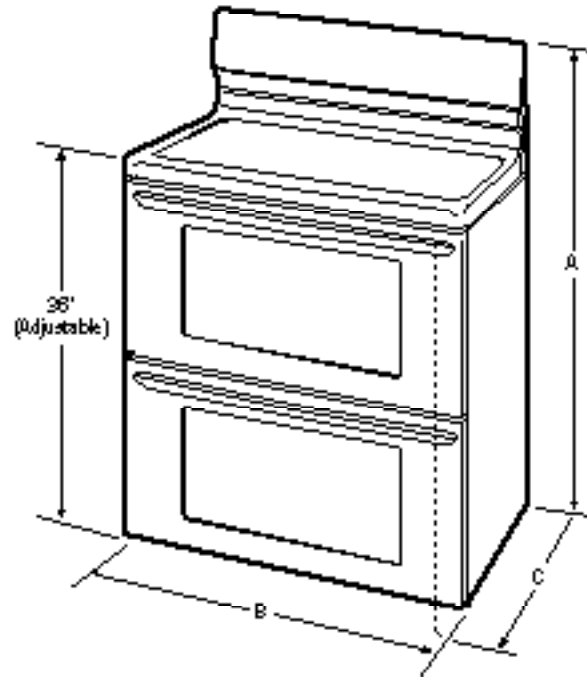
### Quick Clean

Quickly clean your oven in 2, 3 or 4 hours with our quick self-clean cycle.

Elements	Size	Watts
Right Front	6"/9"/12" Expandable	1,100/2,100/3,200
Right Rear	6"	1,200
Left Front	7"/Bridge	1,800/2,600
Left Rear	7"	1,800
Center	Keep Warm Zone	100

*\*Based on single rack cooking performance, not set temperature, using Quick Preheat.*

Features	
Oven Control/Timing System	Precision Set™ Controls
Surface Type	Black Ceramic Glass
Window	Large
Exterior Door Finish	Smudge-Proof Stainless Steel
Handle Design	Stainless Steel
Exterior Finish (Side Panels)	Black
Convection System	True Convection
Oven Cleaning System	Self Clean
Upper Oven	
Oven Controls	
Bake/Broil	Yes/Variable (400-550°F)
Effortless™ Convection Conversion	Yes
Convection Bake/Broil/Roast	Yes/Yes/Yes
Quick Bake Convection	
Quick Preheat	Yes
Effortless™ Temperature Probe	Yes
My Favorite	Yes
Slow Cook	Yes
Pizza Button	Yes
Keep Warm	Yes
Add-a-Minute	Yes
Delay Start	Yes
Self Clean	Yes
Quick Clean Option	
Delay Clean	2, 3, 4 Hours
Kitchen Timer / Timed Cook Option	Yes/Yes
Auto Oven Shutoff	6 Hours
Oven Lock-Out	Yes
Cooktop Features	
Right Front Element (Watts)	SpaceWise® Expandable 6"/9"/12" - 1,100/2,100/3,200
Right Rear Element (Watts)	6" - 1,200
Left Front Element (Watts)	7" - 1,800/2,600
Left Rear Element (Watts)	7" - 1,800
Bridge Element (Watts)	800
Center Element (Watts)	Keep Warm Zone -100
Oven Features	
Upper/Lower Oven Capacity (Cu. Ft.)	3.5/3.5
Upper/Lower Oven Light	1/1
Hidden Bake Element	Yes
Upper/Lower Rack Configuration	1 Handle, 1 Deep-Sump/ 1 Handle, 1 Offset
Baking System	Even Baking Technology
Broiling System	Vari-Broil™
Upper Bake/Broil Elements (Watts)	2,500/3,400
Lower Bake/Broil Elements (Watts)	2,500/3,400
Certifications	
Sabbath Mode (Star-K® Cert.)	Yes
Specifications	
Upper Oven Interior (H x W x D)	12-3/4" x 24-1/8" x 19-1/2"
Lower Oven Interior (H x W x D)	12-3/4" x 24-1/8" x 19-1/2"
Power Supply Connection Location	Left Bottom Rear
Voltage Rating	240V / 208V / 60 Hz
Connected Load (kW Rating) @ 240/208 Volts	16.0/12.1
Minimum Circuit Required (Amps)	40
Shipping Weight (Approx.)	255

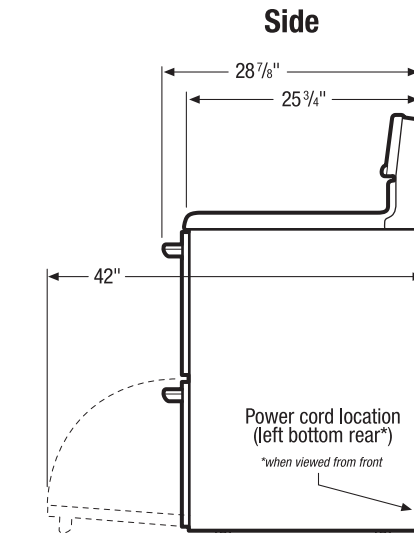
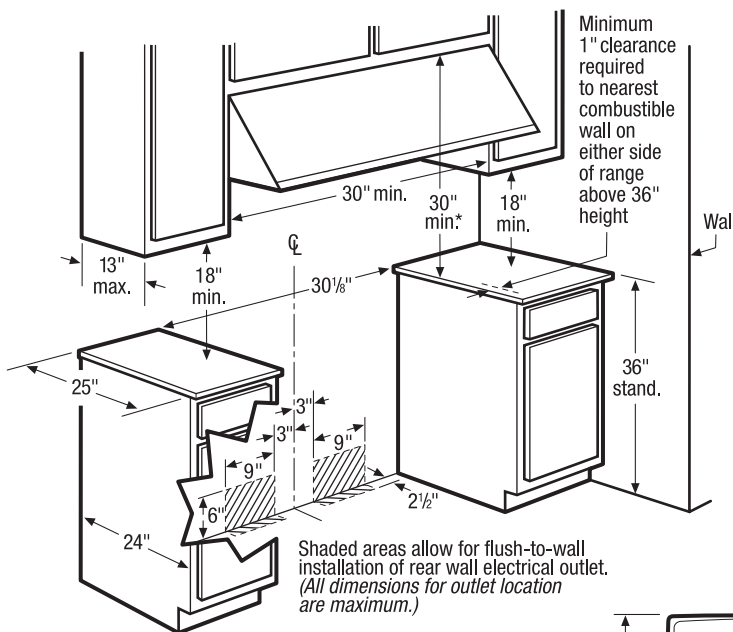


*Note: All planning purposes only. Always consult local and national codes. Refer to Product Installation Guide for detailed installation instructions on the web at [frigidaire.com](http://frigidaire.com).*

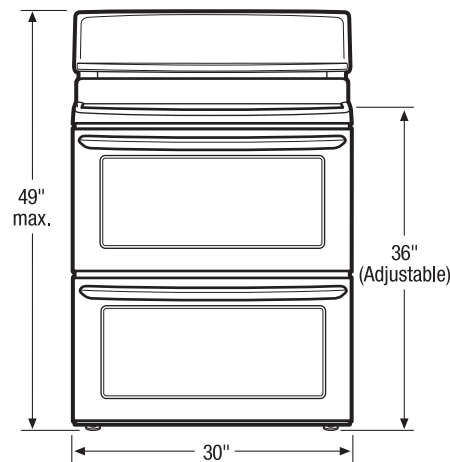
Product Dimensions	
A - Height (Max.)	49"
B - Width	30"
C - Depth (Including Handle)	28-7/8"
Depth with Door Open 90°	42"

Cutout Dimensions	
Height (Stand.)	36"
Width (Min.)	30-1/8"
Depth (Min.)	24"

*Accessories information available on the web at [frigidaire.com](http://frigidaire.com)*



Front



**\*Note:** 30" minimum clearance between top of cooking surface and bottom of unprotected wood or metal overhead cabinet; or 24" minimum clearance when bottom of wood or metal overhead cabinet is protected by not less than 1/4" flame-retardant millboard covered with not less than No. 28 MSG sheet steel, 0.015" stainless steel, 0.024" aluminum or 0.020" copper. 0" clearance is minimum for rear of range. Follow all dimension requirements provided above to prevent property damage, potential fire hazard, and incorrect countertop and cabinet cuts.

**Freestanding Range Specifications**

- Product Shipping Weight (approx.) - 255
- Single phase 3- or 4-wire cable, 120/240 or 120/208 Volt, 60 Hertz, fused on both sides of line with ground.
- Connected Load (kW Rating) @ 240/208 Volts = 16.0/12.1
- Recommended Circuit Breaker - 40 Amps
- Always consult local and national electric codes.
- Floor beneath range MUST be solid and level.
- Overhead cabinetry should not exceed a 13" maximum depth.
- Absolute minimum horizontal distance between overhead cabinets installed to either side of appliance must be no less than maximum width of appliance.
- Range can be installed flush to wall with 0" minimum rear clearance.
- Minimum 1" clearance required from edge of rangetop to nearest combustible wall on either side of range above 36" height.

- Allow 30" minimum clearance between top of cooking surface and bottom of unprotected wood or metal overhead cabinet; or 24" minimum clearance when bottom of wood or metal overhead cabinet is protected by not less than 1/4" flame retardant millboard covered with not less than No. 28 MSG sheet steel, 0.015" stainless steel, 0.024" aluminum or 0.020" copper.
- To reduce risk of fire when using overhead cabinetry, install range hood that projects horizontally a recommended minimum of 5" beyond bottom of cabinets.
- Follow all dimension requirements provided to prevent property damage, potential fire hazard, and incorrect countertop and cabinet cuts.

**Note:** For planning purposes only. Refer to Product Installation Guide on the web at [frigidaire.com](http://frigidaire.com) for detailed instructions.







Use these dimensions and clearance instructions for planning purposes only. For detailed installation instructions, refer to installation guide, packed with product, or on the web at frigidaire.com.



\*When installing French door refrigerator adjacent to wall, cabinet or another appliance that extends beyond front edge of unit, 20" minimum clearance recommended to allow for optimum 120° to 180° door swing, providing complete drawer/crisper access and removal. (Absolute 4-1/2" minimum clearance will ONLY allow for 90° door swing which will provide limited drawer/crisper access with restricted removal.)

When installing appliance with sliding drawer, swinging or drop-down door directly across from obstructions, provide sufficient clearance for drawer extension or door swings.



Use these dimensions and clearance instructions for planning purposes only. For detailed installation instructions, refer to installation guide, packed with product, or on the web at frigidaire.com.

