



## Microwaves

FGMO205K F/W/B

### 24" Built-In



#### Product Dimensions

Height	13-3/8"
Width	24"
Depth	19-1/8"

#### More Easy-To-Use Features

##### Smudge-Proof Stainless Steel<sup>1</sup>

Real Stainless Steel with a protective coating reduces fingerprints and smudges so it's easy to clean.

##### Sensor Cooking

Microwave automatically adjusts power levels and cooking times to perfectly cook a variety of items, effortlessly.

##### One-Touch Keep Warm Setting

Just one touch of a button keeps food warm until everything – and everyone – is ready.

##### One-Touch Add 30 Seconds

##### Built-In Trim Kit

Optional trim kit available in white, black or stainless trim in 27" or 30" diameter.

#### Available in:



<sup>1</sup>Select models only.

### Signature Features



#### Fits-More™ Microwave

Extra-large microwave provides 2.0 cubic feet of cooking space.



#### Effortless™ Reheat

Reheat almost anything with the touch of a button.



#### Over 30 Options

Versatile settings include: Chicken nuggets and snacks.

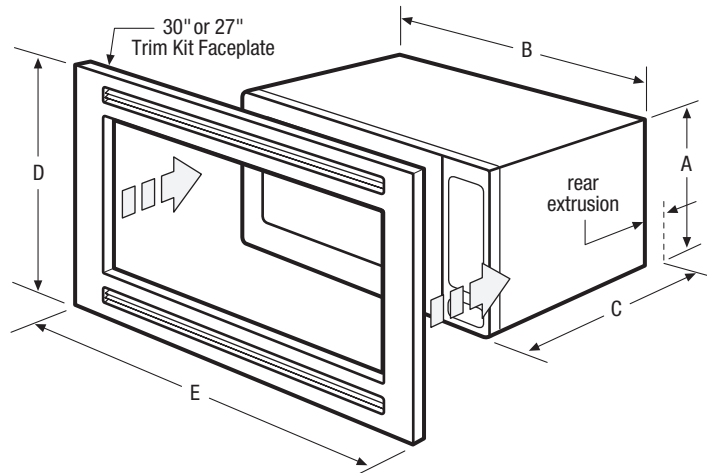


#### One-Touch Options

Our microwaves feature easy-to-use one-touch buttons so you can cook chicken nuggets, baked potatoes or popcorn with the touch of a button.

Features	
Control/ Timing System	Express-Select®
Exterior Door Finish	Smudge-Proof Stainless Steel (F), Color-Coord.(W/B)
Handle Design	Push Button
Microwave Capacity (Cu.Ft.)	2.0
Convection	
Watts (IEC-705 Test Procedure)	1,200
Interior Light	Yes
Interior Color	White
Turntable Diameter	16"
Turntable On/Off	
Control Lock	Yes
Clock	Yes
Touch Pad Buttons	28
Power Levels	10
Accessory Metal Rack	
Microwave Control Options	
Popcorn Button	Yes
Chicken Nugget Button	Yes
Baked Potato Button	Yes
Sensor Reheat Button	Yes
Snack Button	Yes
Beverage	
Melt & Soften Options	4
Auto Reheat Options	3
Snack Menu Options	4
Auto Cook Options	3
Auto Defrost Options	6
Multi-Stage Cooking Option	
Keep Warm	Yes
Add-30-Seconds	Yes
Sensor Cooking Options	5
Vegetable Cook Sensor	Yes
Delay Start	Yes
User Preferences	Yes
Power Ratings	
Frequency (MHz)	2,450
Watts @ 120 Volts	1,700
Amps @ 120 Volts	14.3
Optional Accessories	
30" Stainless Steel Trim Kit	PN# MWTK30KF
30" White Trim Kit	PN# MWTK30KW
30" Black Trim Kit	PN# MWTK30KB
27" Stainless Steel Trim Kit	PN# MWTK27KF
27" White Trim Kit	PN# MWTK27KW
27" Black Trim Kit	PN# MWTK27KB
Specifications	
Oven Interior (HxWxD)	10-1/2" x 17-3/8" x 18-5/8"
Power Supply Connection Location	Right Top Rear
Voltage Rating	120V / 60Hz / 15 or 20A
Connected Load (kW Rating) @ 120 Volts <sup>1</sup>	1.7
Minimum Circuit Required (Amps)	15
Shipping Weight (Approx.)	46 Lbs.

<sup>1</sup>For use on adequately wired 120V, dedicated circuit having 2-wire service with a separate ground wire. Appliance must be grounded for safe operation.



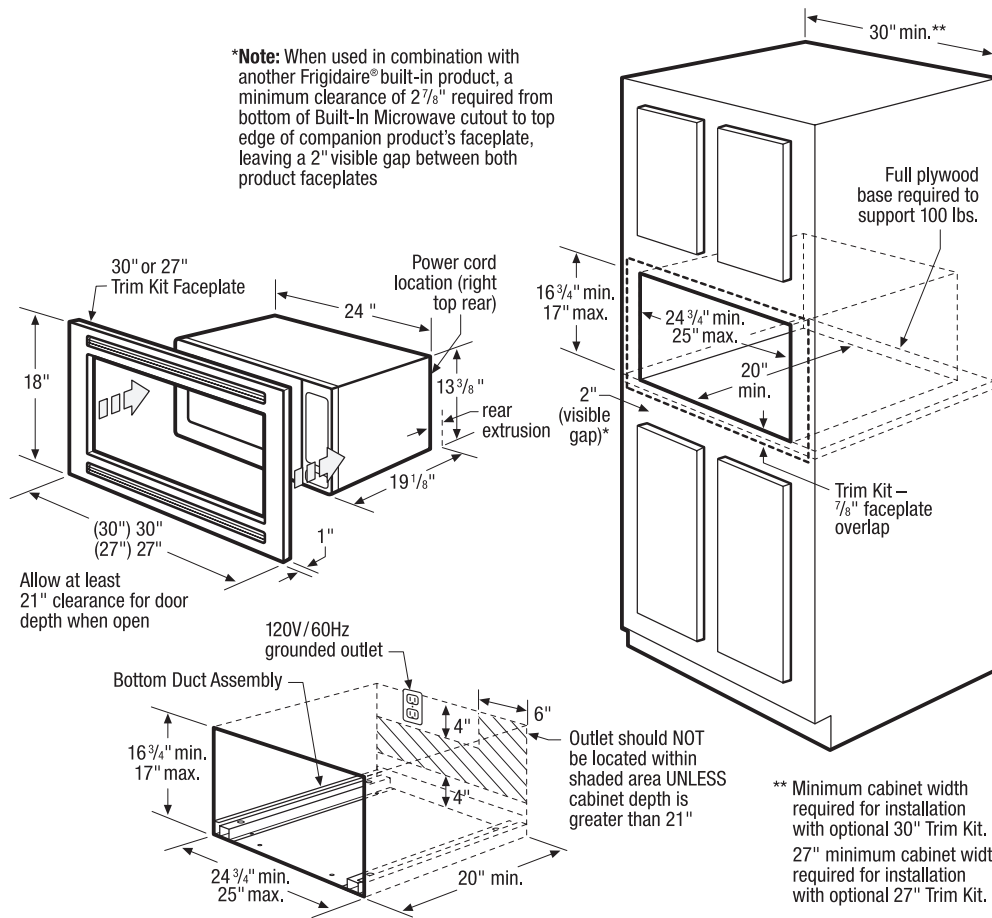
NOTE: For planning purposes only. Always consult local and national electric codes. Refer to Product Installation Guide for detailed installation instructions on the web at [frigidaire.com](http://frigidaire.com).



Product Dimensions		Cutout Dimensions	
A - Height	13-3/8"	Height (Min.)	16-3/4"
B - Width	24"	Height (Max.)	17"
C - Depth	19-1/8"	Width (Min.)	24-3/4"
D - Height (Trim Kit Faceplate)	18"	Width (Max.)	25"
E - Width (Trim Kit Faceplate)	30"/27"	Depth (Min.)	20"

Accessories information available on the web at [frigidaire.com](http://frigidaire.com)

**\*Note:** When used in combination with another Frigidaire® built-in product, a minimum clearance of 2-7/8" required from bottom of Built-In Microwave cutout to top edge of companion product's faceplate, leaving a 2" visible gap between both product faceplates



\*\* Minimum cabinet width required for installation with optional 30" Trim Kit. 27" minimum cabinet width required for installation with optional 27" Trim Kit.

**Microwave Specifications**

- Product Shipping Weight (Approx.) - 46 Lbs. (not incl. Trim Kit)
- Voltage Rating - 120V/60 Hz/15 or 20 Amps
- Connected Load (kW Rating) @ 120 Volts = 1.7 kW (For use on adequately wired 120V, dedicated circuit having 2-wire service with a separate ground wire. Appliance must be grounded for safe operation.)
- Amps @ 120 Volts = 14.3 Amps
- Always consult local and national electric codes.
- Microwave can stand alone on countertop or be built in with optional 30" or 27" Trim Kit (ordered by individual part number) which includes Bottom Duct Assembly - shipped in separate box.
- Allow 21" minimum clearance for 90° door swing.
- Minimum 20" deep oven cutout dimension is critical for proper installation for oven and faceplate to fit flush against cabinet front.
- Consult local building code, in the event that cutout opening may be required to be enclosed with sides, ceiling and rear partition.
- Full oven base of solid plywood or similar material required, capable of supporting 100 Lbs.

- Base must be level and front of cabinet square for proper operation.
- Grounded outlet should NOT be located in shaded area, as indicated, UNLESS cabinet depth is greater than 21".
- Can NOT be installed above any gas wall oven.
- Built-In Microwave is approved to be used in combination with any Frigidaire® Electric Single Wall Oven and/or Warmer Drawer. (Refer to model-specific Combination Installation Specification pages on web.)
- When used in combination with another Frigidaire® built-in product, a minimum clearance of 2-7/8" required from bottom of Built-In Microwave cutout to top edge of companion product's faceplate, leaving a 2" visible gap between both product faceplates.

**Note:** For planning purposes only. Refer to Product Installation Guide on the web at [frigidaire.com](http://frigidaire.com) for detailed instructions

**Optional Accessories**

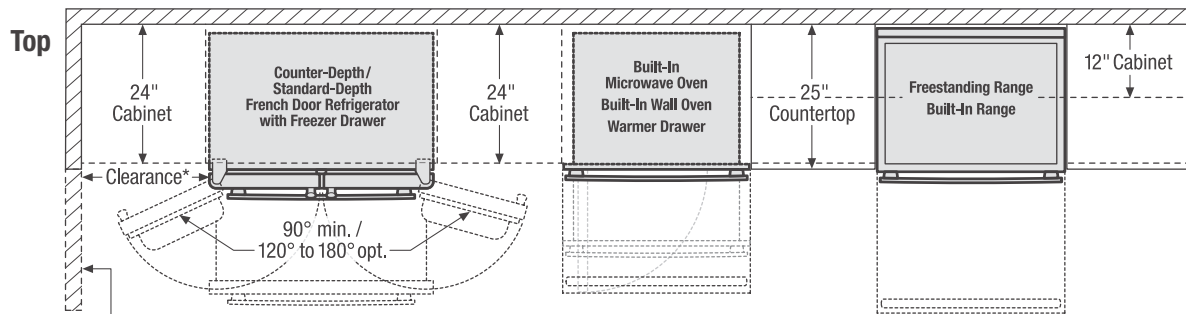
- 30" Stainless Steel Trim Kit - (PN# MWTK30KF).
- 27" Stainless Steel Trim Kit - (PN# MWTK27KF).
- 30" White Trim Kit - (PN# MWTK30KW).
- 27" White Trim Kit - (PN# MWTK27KW).
- 30" Black Trim Kit - (PN# MWTK30KB).
- 27" Black Trim Kit - (PN# MWTK27KB).





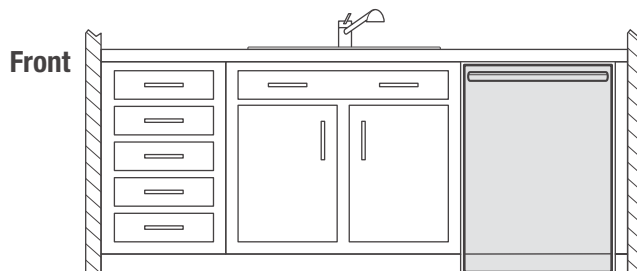


Use these dimensions and clearance instructions for planning purposes only. For detailed installation instructions, refer to installation guide, packed with product, or on the web at frigidaire.com.



\*When installing French door refrigerator adjacent to wall, cabinet or another appliance that extends beyond front edge of unit, 20" minimum clearance recommended to allow for optimum 120° to 180° door swing, providing complete drawer/crisper access and removal. (Absolute 4-1/2" minimum clearance will ONLY allow for 90° door swing which will provide limited drawer/crisper access with restricted removal.)

When installing appliance with sliding drawer, swinging or drop-down door directly across from obstructions, provide sufficient clearance for drawer extension or door swings.



Use these dimensions and clearance instructions for planning purposes only. For detailed installation instructions, refer to installation guide, packed with product, or on the web at [frigidaire.com](http://frigidaire.com).

