

FFEF3012T W/B

FREESTANDING RANGE

30" ELECTRIC



AVAILABLE COLORS



White



Black

PRODUCT DIMENSIONS

Height (Max.) 46-5/8"

Width 29-7/8"

Depth (Incl. Handle) 28-1/2"

MORE EASY-TO-USE FEATURES

Built with American Pride

Designed, engineered and assembled in the U.S.A.

ELEMENTS	SIZE	WATTS
Right Front	6"	1,250
Right Rear	8"	2,100
Left Front	8"	2,100
Left Rear	6"	1,250

SIGNATURE FEATURES

Store-More™ Storage Drawer

With the Store-More™ Storage Drawer, you will have extra space to store your cookware.

Hi/Lo Broil Options

Offers two-position broiling and variable temperature control for more control.

Electronic Kitchen Timer

Times up to 12 hours.

Manual Clean Oven

FFEF3012T W/B FREESTANDING RANGE

30" ELECTRIC

FRIGIDAIRE

FEATURES

Oven Control/Timing System	Ready-Select® Controls
Surface Type	Color-Coordinated Porcelain
Window	Large
Exterior Door Finish	Color-Coordinated
Handle Design	Color-Coordinated
Exterior Finish (Side Panels)	Color-Coordinated
Convection System	
Oven Cleaning System	Manual Clean
Drawer Functionality	Storage

OVEN CONTROLS

Bake	Yes
Broil	Variable (High/Low)
Add-a-Minute	
Delay Start	
Self-Clean	
Quick Clean Option	
Delay Clean	
Kitchen Timer	Yes
Timed Cook Option	
Auto Oven Shut-Off	

COOKTOP FEATURES

Right Front Element (Watts)	6" - 1,250
Right Rear Element (Watts)	8" - 2,100
Left Front Element (Watts)	8" - 2,100
Left Rear Element (Watts)	6" - 1,250
Center Element (Watts)	
Hot Surface Indicator Light	Yes
Coil Cooktop/Drip Bowls	Yes/Chrome

OVEN FEATURES

Capacity (Cu.Ft.)	4.8
Oven Light	1
Hidden Bake Element	
Rack Configuration	2 Standard
Baking System	Even Baking Technology
Broiling System	Vari-Broil™ Hi/Lo
Bake Element/Broil Element (Watts)	2,600/3,000

SPECIFICATIONS

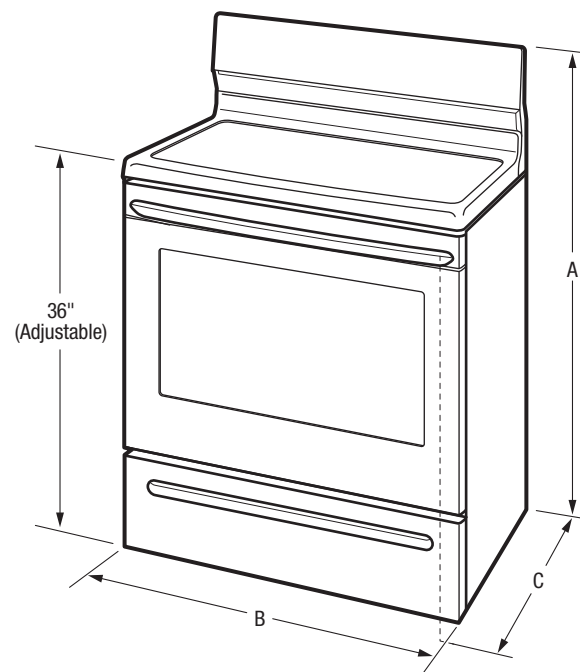
Oven Interior (H x W x D)	19-3/4" x 23" x 18-3/4"
Power Supply Connection Location	Right Bottom Rear
Voltage Rating	240V/208V/60Hz
Connected Load (kW Rating) @ 240/208 Volts	10.0/7.5
Minimum Circuit Required (Amps)	40
Shipping Weight (Approx.)	145 Lbs.

PRODUCT DIMENSIONS

A - Height (Max.)	46-5/8"
B - Width	29-7/8"
C - Depth (Incl. Handle)	28-1/2"
Depth with Door Open 90°	45"

CABINET CUTOUT DIMENSIONS

Height (Standard)	36"
Width (Min.)	30"
Depth (Min.)	24"



36"
(Adjustable)

A

B

C



Note: For planning purposes only. Always consult local and national electric, gas and plumbing codes. Refer to Product Installation Guide for detailed installation instructions on the web at frigidaire.com.

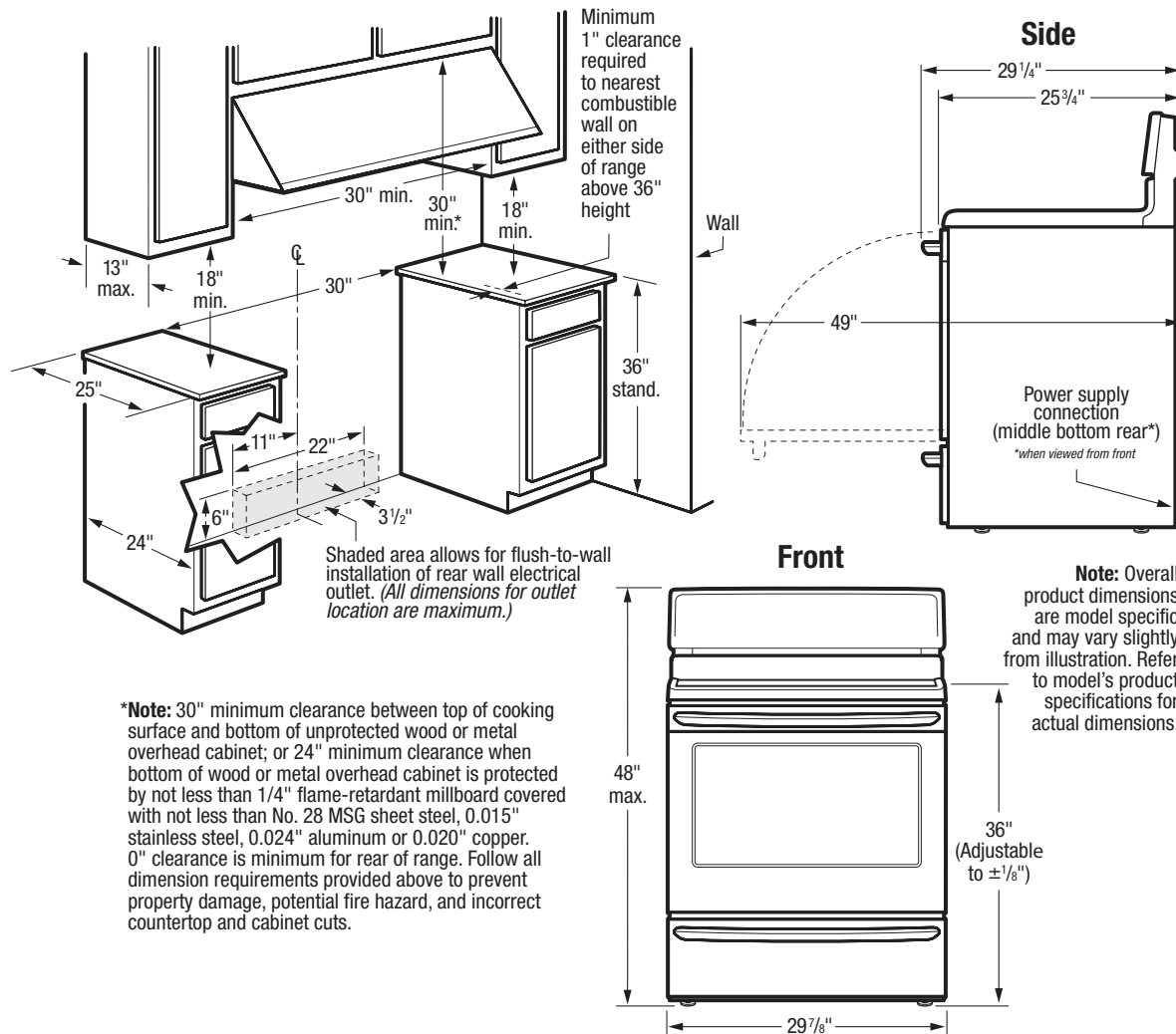
Specifications subject to change. Accessories information available on the web at frigidaire.com

FRIGIDAIRE

USA • 10200 David Taylor Drive • Charlotte, NC 28262 • 1-800-FRIGIDAIRE • frigidaire.com
CANADA • 5855 Terry Fox Way • Mississauga, ON L5V 3E4 • 1-800-265-8352 • frigidaire.ca

FFEF3012T 09/17

© 2017 Electrolux Home Products, Inc.



Note: Overall product dimensions are model specific and may vary slightly from illustration. Refer to model's product specifications for actual dimensions.

INSTALLATION SPECIFICATIONS

- Product Shipping Weight (approx.) – 145 Lbs.
- Single phase 3- or 4-wire cable, 120/240 or 120/208 Volt, 60 Hertz, fused on both sides of line with ground.
- Connected Load (kW Rating) @ 240/208 Volts = 10.0/7.5kW
- Recommended Circuit Breaker – 40 Amps
- Always consult local and national electric codes.
- Make sure wall coverings around range can withstand heat generated by range.
- Floor beneath range MUST be solid and level.
- Overhead cabinetry should not exceed a 13" maximum depth.
- Absolute minimum horizontal distance between overhead cabinets installed to either side of appliance must be no less than maximum width of appliance.
- Range can be installed flush to wall with 0" minimum rear clearance.
- Minimum 1" clearance required from edge of rangetop to nearest combustible wall on either side of range above 36" height.
- Allow 30" minimum clearance between top of cooking surface and bottom of unprotected wood or metal overhead cabinet; or 24" minimum clearance when bottom of wood or metal overhead cabinet is protected by not less than 1/4" flame retardant millboard covered with not less than No. 28 MSG sheet steel, 0.015" stainless steel, 0.024" aluminum or 0.020" copper.
- To reduce risk of fire when using overhead cabinetry, install range hood that projects horizontally a recommended minimum of 5" beyond bottom of cabinets.
- Follow all dimension requirements provided to prevent property damage, potential fire hazard, and incorrect countertop and cabinet cuts.

